

# Grease Guardian®

## X Range

*"Grease Guardian outperforms any passive grease trap"*

THOMAS MILLER  
CHEF



### UNDER SINK INSTALLATION

Automatically separates & removes FOG (fats oils and grease), from kitchen waste water

Solids filtration as standard

Solid stainless steel construction

Reduces pump out requirements

Easy to install & maintain

Collected waste can be recycled

Programmable logic control

Approved under PDI and ASME

Full customer support

3 year warranty



PDI G101-2010



C US  
ASME A112.14.3  
ASME A112.14.4  
CSA B481



C US  
UL499  
CSA C22.2 No. 88  
E113378



www.greaseguardianusa.com



## THREE-STAGE OPERATION SYSTEM

### STAGE 1 Solids Collection

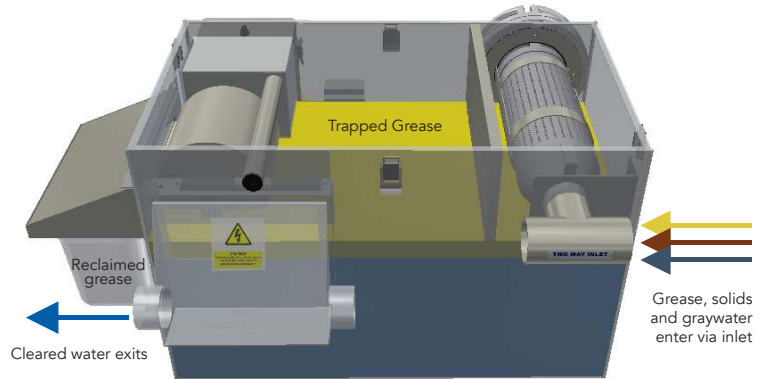
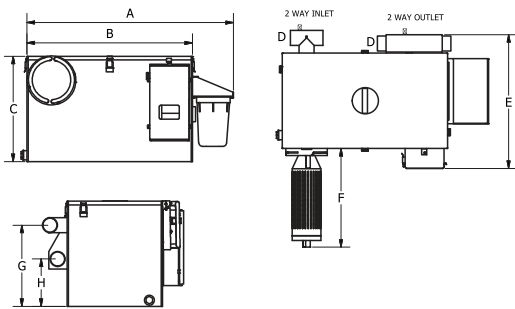
Wastewater from the kitchen is directed through the inlet of the **Grease Guardian®** where a removable strainer basket collects any solid debris.

### STAGE 2 Grease & Oil Separation

Grease in the wastewater floats to the surface and is trapped while the clear water leaves the unit and enters the drainage system.

### STAGE 3 Self Cleaning & Grease Removal

The PLC programmed heating element is activated to liquefy grease, which is then removed by the skimming wheel and deposited into a portable container for recycling. Can be connected to: pot wash sinks, pre-rinse sinks, combi ovens, Asian woks and floor drains.



Model	Length (A) INCLUDES CONTAINER	Length (B) TANK ONLY	Height (C)	Inlet/Outlet (D)	Width (E) INCLUDES PANEL	Basket (F) CLEARANCE NEEDED	Inlet Height (G) INLET	Outlet Height (H) OUTLET	Max Flow
<b>X15</b>	31	24.5	13.4	2	22	15.8	9.6	4.5	15 gpm
<b>X25</b>	32.5	25.9	16.6	2	22	15.8	12.8	7.5	25gpm
<b>X35</b>	40.9	34.5	16.6	3	24	15.8	12.8	8.5	35gpm
<b>X50</b>	-	39.4	17.5	3	24.2	16	12.6	8.8	50gpm
<b>X75</b>	-	43.4	21.3	4	24.2	18	16.6	12.5	75gpm
<b>X125</b>	-	59.1	24.4	4	28.8	18	19.8	15.2	125gpm

ALL DIMENSIONS IN INCHES

**Specification:** Automatic grease trap (AGRU) with built in automatic grease removal and dry, front-loading solids strainer. 16 Gauge 304 Bright Finish Stainless Steel. Sealed, Stainless Steel Top. 25 Watt, 110v; 60Hz Motor. 600-Watt Heater with Thermal Cut Out. User friendly Logic Controller with Backlit Display. Skimming Drum is capable of skimming 1.5 gallons per hour. Can be connected to pot wash sinks, pre-rinse sinks, combi ovens, Asian woks, floor drains and most grease producing kitchen appliances. UL, PDI, CSA, and ASME certified. Please note dimensions are subject to change without notice.



#### United States

Grease Guardian LLC  
 96 Onondaga Street  
 Yonkers NY 10704  
 T: 914 375 0902  
 M: 914 316 5671  
 E: des@greaseguardian.com

[www.greaseguardianusa.com](http://www.greaseguardianusa.com)

