

# COMPACT RANGE



# GGD25

## GREASE GUARDIAN GGD25 AUTOMATIC GREASE REMOVAL UNITS FOR RESTAURANT KITCHENS



**25 GPM - 50+  
Pounds Grease  
Capacity**

Grease Guardian  
Compact Point Source  
Grease Solutions



**STAINLESS STEEL CONSTRUCTION  
DURABLE - RELIABLE - BUILT TO LAST**

**FULLY APPROVED**

Grease Management Solutions for your Kitchen  
Pot Sinks, Pre-rinse Sinks, 3 Compartment Sinks



PDI G101



ASME  
A112.14.3  
B481.1



UL 499  
CSA C22.2 No88  
E113375



IAPMO

# COMPACT RANGE

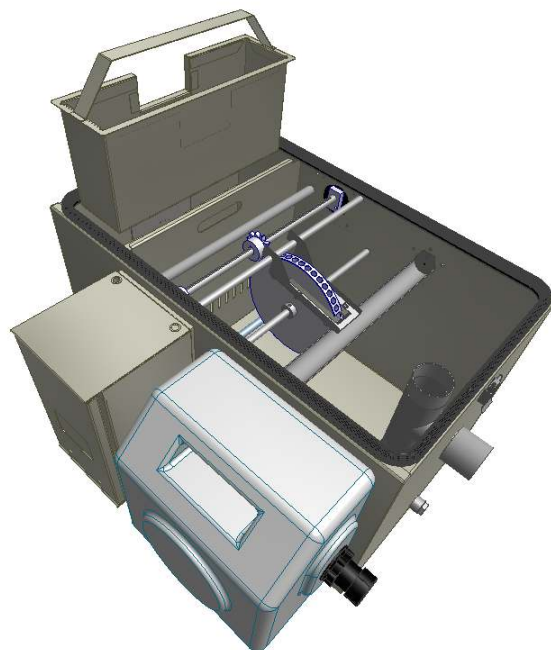
# GGD25

## KEY INSTALLATION NOTES

- Allow for the minimum clearances shown
- Allow 37" x 26" for tank and container base
- Allow 9" above GGD 25 for removal of solids strainer
- Allow adequate clearance for solids strainer
- Allow adequate space for grease container
- Inlet port is available on left or right
- Keep outlet piping at 1/8" per foot or greater
- Use rubber pipe connections provided
- Only switch on after filling with water
- Refer to full manual for full instructions

## PRE-START UP CHECKS

- Ensure unit is positioned on a level surface and is plumbed securely
- Ensure electrical outlet is fitted with dedicated ground fault circuit breaker
- Ensure unit is filled with water to the correct level
- Ensure strainer basket is in position
- Set PLC date and time as detailed in the manual
- Ensure the grease container is empty and secured in place



## SPECIFICATION

Grease Guardian Model GGD25 Part # GGD25

Grease Guardian Model GGD25, flow direction Left to Right or Right to Left, self-cleaning automatic grease removal unit. 16 gauge fully welded 304 stainless steel tank stainless steel internal baffle plate, fully sealed air tight stainless steel lid and robust stainless steel clamps, removable heavy duty stainless steel solids strainer basket, left to right / right to left inlet and outlet flow connections, with easy fit pipe couplings, concealed electrical connections, 25 gallons per minute flowrate, 50+ pounds grease retention capacity, and skimming rate of 11/22 pounds per low/high cycle. The GGD25 is supplied with a durable skimming wheel, integral gas trap, integral flow control, totally enclosed geared drive unit, 600 watt immersion heater with self-regulating safety control, programmable controller and interface with energy saving mode. The GGD25 is suitable for floor or shelf mounting arrangements. The GGD25 is electrically tested and approved to UL499 and CSA C22-2 88-1952 standards. 3 year warranty is standard. — — — Specify flow direction  Left to Right  Right to left — — —

## TECHNICAL DATA

Weight	85 pounds
Material	16 gauge stainless steel
Interior	Stainless steel & acetyl components
Maximum flow rate	25 gallons per minute
Total grease retention capacity	50+ pounds
Solids strainer capacity	9 Pounds
Skimming rate / Low cycle	11 pounds per cycle
Skimming rate / High cycle	22 pounds per cycle
Available cycles / day	4
Programming / Control	Programmable Logic Controller
Electrical load	110VAC 630watts 5.73A

**Grease  
Guardian®**

# GGD25

**25 GPM - 50+ Pounds  
Grease Capacity**

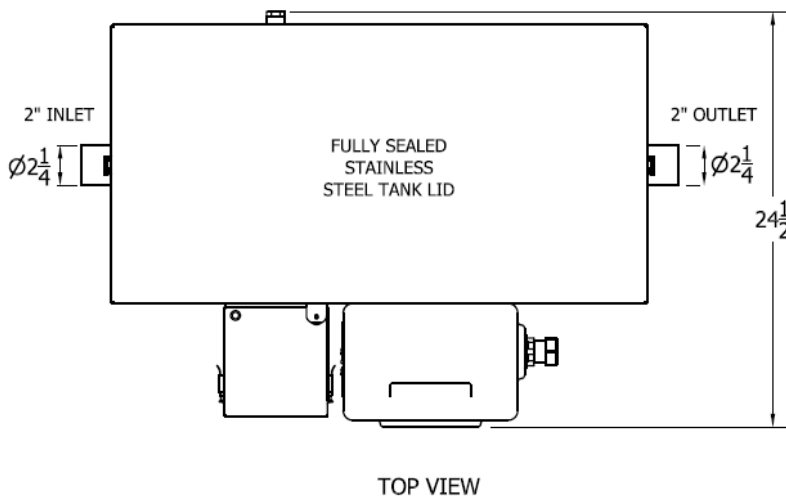
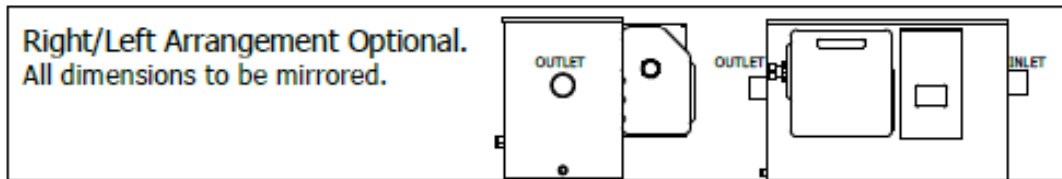
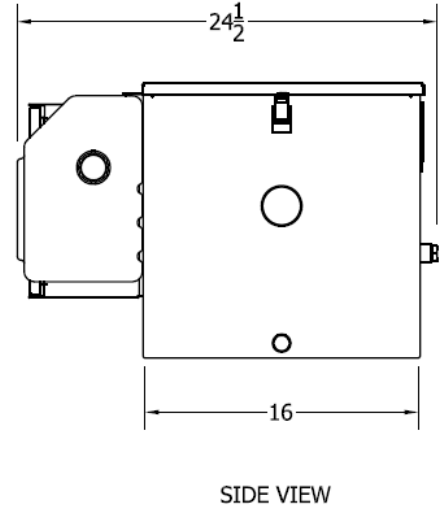
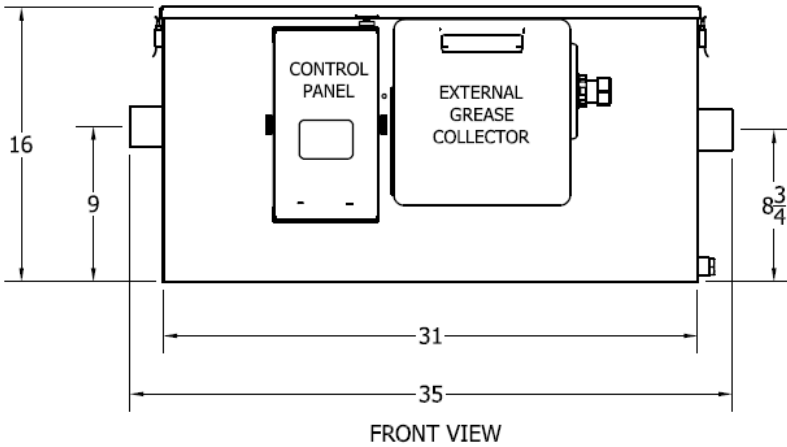
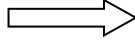
# COMPACT RANGE

## Grease Guardian GGD25 Standard Specification

# GGD25

25 GPM - 50+ Pounds  
Grease Capacity

Flow Direction—Straight Through  
Left to Right or Right to Left  
To be specified when ordering



### GREASE GUARDIAN STANDARD FEATURES

- 3 Year Warranty
- 16 gauge stainless steel welded tank
- Fully sealed air tight lid
- Left to Right flow direction - specified
- Right to Left flow direction
- PLC/HMI automatic controller
- Long life skimming blade
- Removable solids strainer basket
- 0.9 gallon grease collection container
- Concealed electrical connections
- Integral flow control
- Integral gas trap
- BMS Connectivity

*Important Note:*  
Allow 9" above GGD 25 for  
removal of solids strainer



# COMPACT RANGE

# GGD25

**Grease Guardian GGD 25  
Automatic Grease Recovery Unit  
25 Gallons Per Minute  
50+ Pounds Grease Retention**



## GGD Series - Point Source

### Stage 1 - Solids Separation

Wastewater from the kitchen is directed through the inlet of the GGD25. A removable inlet solids strainer collects any solid debris.

### Stage 2—Grease and Oil Separation

Grease in the wastewater floats to the surface and is trapped leaving the clear water to exit the tank.

### Stage 3 - Self Cleaning Grease Removal

The PLC controlled immersion heated is activated to liquefy the grease, which is then removed by the skimming wheel into the external grease collector.

## Fully Approved System

Grease Guardian Automatic Grease Recovery Units are the most efficient and reliable on the market.

The Grease Guardian GGD25, point source grease recovery unit intercepts kitchen waste, separates solids and grease, then automatically removes the settled grease into the external grease collector up to 4 times per day.

All Grease Guardians are built from high quality stainless steel tanks, reliable and efficient mechanical skimming devices and programmable PLC interfaces.

Grease Guardian D Series machines carry an unrivaled 3 year warranty on all mechanical and electrical equipment and a 10 year warranty on the tank.



**Grease Guardian**  
127, Cliffside Drive  
Yonkers  
NY 10710

**800-677-7861**

[info@greaseguardian.com](mailto:info@greaseguardian.com)

[www.greaseguardianusa.com](http://www.greaseguardianusa.com)